



VOLTA SIDEWALL STRIPS WITH BASE

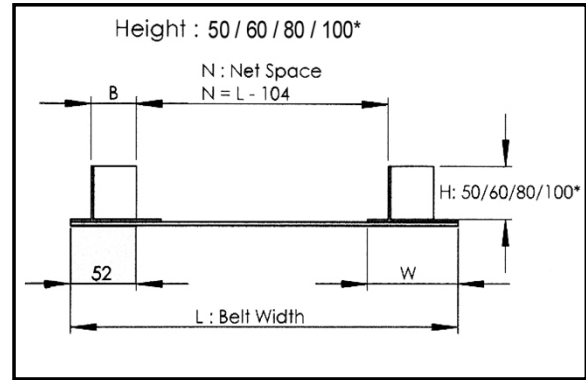
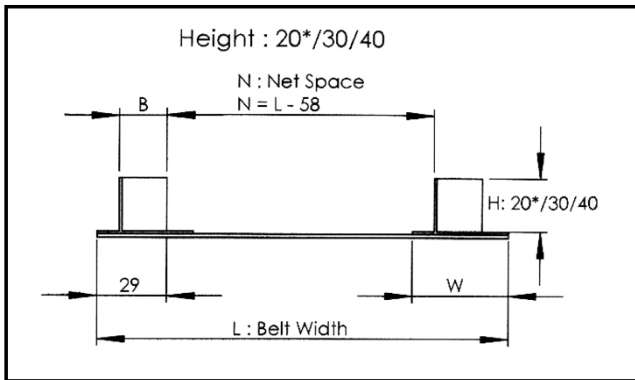
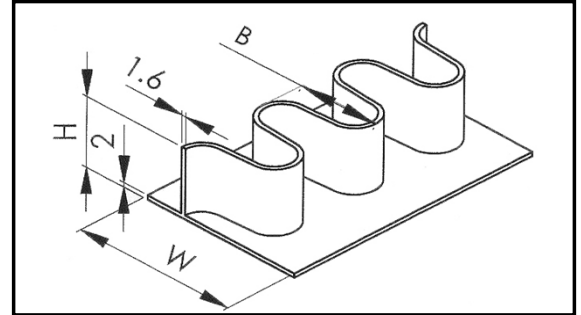
Product: **Flexible Sidewalls (SWW, SWB & SWZ)**

Material: **Volta FW/FMB-(FDA, USDA, 3A)**

Volta FZ (green, GenCon)

Compatibility: **Volta M family Materials**

W, MW, MB, Z, G, GZ



*non standard

Type	SW - 20		SW- 30		SW- 40		SW- 50		SW- 60		SW- 80		SW -100	
	mm	inch	mm	inch	mm	inch	mm	inch	mm	inch	mm	inch	mm	inch
Height : H	20	13/16	30	1 1/4	40	1 1/2	50	2	60	2 3/8	80	3 1/8	100	4
Base Width: W	40	1 1/2	40	1 1/2	40	1 1/2	70	2 3/4	70	2 3/4	70	2 3/4	70	2 3/4
Wall Width: B	18	5/7	18	5/7	18	5/7	34	1 5/16	34	1 5/16	34	1 5/16	34	1 5/16
Weight (kg/meter)	0.17		0.21		0.24		0.39		0.42		0.52		0.62	

Minimum Pulley

Belt Thickness:	mm	inch	mm	inch	mm	inch	mm	inch	mm	inch	mm	inch	mm	inch
2	95	3 3/4	95	3 3/4	100	4	NR	NR	NR	NR	NR	NR	NR	NR
2.5	100	4	100	4	110	4 3/8	NR	NR	NR	NR	NR	NR	NR	NR
3	105	4 1/8	105	4 1/8	115	4 1/2	125	5	130	5 1/8	150	6	200	8
3.2	105	4 1/8	105	4 1/8	115	4 1/2	125	5	130	5 1/8	150	6	200	8
4	110	4 3/8	110	4 3/8	130	5 1/8	130	5 1/8	135	5 3/8	150	6	200	8
5	120	4 3/4	120	4 3/4	135	5 3/8	135	5 3/8	140	5 1/2	150	6	200	8

Remark: Given MPD Dimensions Relate to **Normal Flex**
For **Back Flex** MPD Must Multiplied By X 1.5