
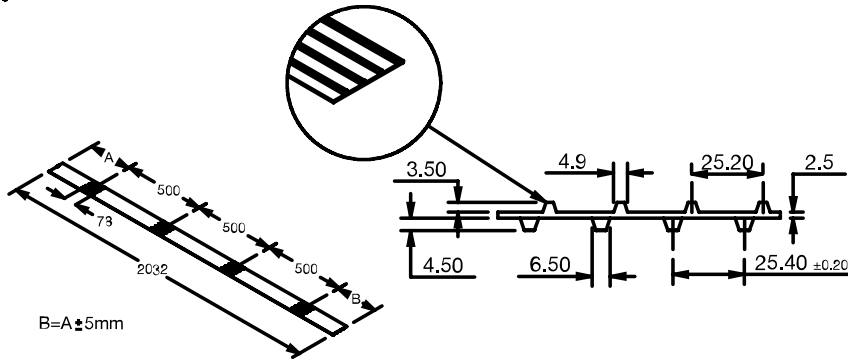


**FMB-MSD-MC**

**Mini SuperDrive™, Bottom- Smooth, Top-MC (Mini Cleat)**

Material:	Volta MB	
Color (Indicative only)	Blue	
Hardness:	95A/46D	
Temp. Range (C°):	-20°C to 70°C	
Temp. Range (F°):	-5°F to 158°F	
Certification:	FDA/ USDA/USDA Dairy/EU Approved	

Coefficient of friction (Dry):	
Steel:	0.5
Stainless Steel:	0.5
UHMW:	0.28



<b>Product:</b>	<b>FMB-2.5-MSD-MC</b>
<b>Belt Thickness:</b>	2.5mm
<b>Belt Weight (kg/ m<sup>2</sup>):</b>	3.7kg/m <sup>2</sup>
<b>Add for each row of teeth</b>	+0.073 Kg/m
<b>Belt Weight (lb/ ft<sup>2</sup>):</b>	0.76 lb/ft <sup>2</sup>
<b>Add for each row of teeth</b>	+0.049 lb/ft
<b>Belt Min Pulley Diameter (mm)</b> (Normal Flex)	80mm
<b>Belt Min Pulley Diameter (mm)</b> (Back Flex)	80mm
<b>Belt Min Pulley Diameter (Inch)</b> (Normal Flex)	3.15"
<b>Belt Min Pulley Diameter (Inch)</b> (Back Flex)	3.15"
<b>Max Pull Force* (kg/cm width)</b>	4
<b>Max Pull Force* (lb/inch width)</b>	22.4

- \*Pull force – According to “Temperature Correction Factor”.

Belt material	Temperature Correction Factor						
	40°C/ 104°F	45°C/ 113°F	50°C/ 122°F	55°C/ 131°F	60°C/ 140°F	65°C/ 149°F	70°C/ 158°F
MB – 95A/46D Shore	1	0.98	0.95	0.9	0.87	0.8	0.7

- English dimensions have been converted from Metric measurements.
- All values are nominated and to the best of our experience are true and accurate.
- For endless welding use the Volta FBW welding system.