

Volta Hinge Lace



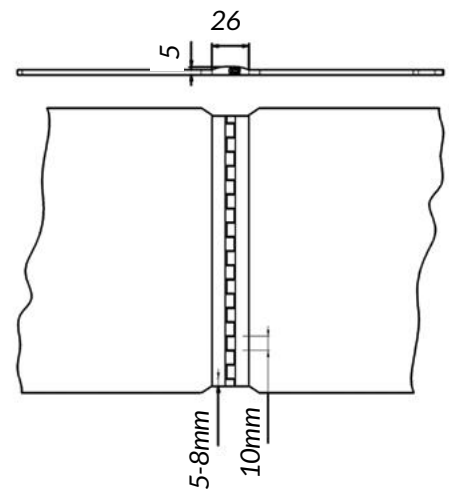
Volta Hinge Lace is a system allowing for easy fitting and removing of a Volta belt where employing a Volta welding tool may be impractical or where using an endless welded belt is not possible.

RoundFlex™ Lace

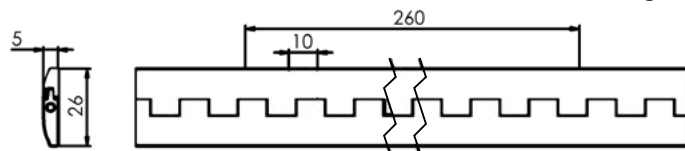
Volta's new lace type has several distinguishing features. It is available for M and DR type belts and is made in shorter sections than Universal Lace. These must be offset to avoid matching the breaks between sections on the two belt edges. The RoundFlex™ has a sturdier pin (2.4mm as opposed to 1.65mm) and is designed with a flat tooth that is captured in the opposite lace section when meshing. This gives the belt a better flexion when bending around pulleys, creating a true arc rather than buckling into an angle.



Lace Type	LMB-R, LMW-R, LDR-R, LMD-R	
Material:	Volta (MB) Blue, Blue 02, (MW) Beige, (DR & LT material) Blue 15, (MD material) Blue 09	
Working Range:	Suitable for belt thickness 2.5 - 5 mm	
Hardness:	95A	
Description:	Flat Toothed Strip	
Temp. Range:	-20°C to 60°C / -5°F to 140°F	
Certification:	FDA / USDA / EU	
Dimensions:	5 x 26mm (0.2" x 1.02")	
One Section Length (L):	260mm (10.23")	
Maximum Pull Force:	3kg/cm (16.8lb/in)	
Minimum Pulley Diameter	Choose the highest MPD between the belt and the lace	
Normal Flex:	80mm (3.15")	
Back Flex:	80mm (3.15")	
Pin Options:	Nylosteel Pin - 2.4mm	Cat.No.: 81651172
	Plastic Pin - 2.4mm	Cat.No.: 81651176



Note: * Maximum Pull force with the Plastic Pin is 2 kg/cm (11.2 lb/in).



Dimensions: 5 x 26mm (0.2" x 1.23")
 One Section Length (L): 260mm (10.23")



Roundflex™ Lace

Please note that the Roundflex™ lace is supplied in sections which need to be welded on the belt ends in an offset pattern, as indicated in the drawing below.

Unlimited integrated length

Easy Open-Close Technique

The hinge pin is bent at the ends and can be removed by straightening these crimps. A new pin should be inserted and crimped in the same fashion.

Easily Installed

Volta can ship belts equipped with either style of Volta Hinge Lace as noted above, as well as Nylo-Steel pin cut to size or in lengths. Alternatively, Hinge Lace sections can be ordered for welding in a workshop using the FBW or PDW Welding Tool.

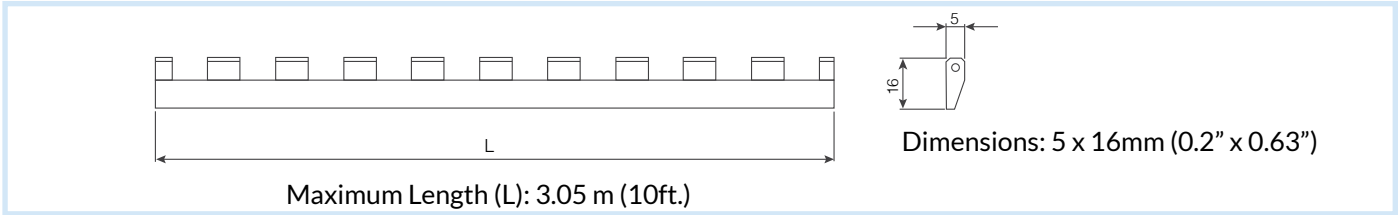
Ensure that the conveyor pulleys fully support at least 80% of the surface when using lace. Once welded, Volta Lace is secure on the belt edges and will not shear off. However, the available pull force (belt strength and thus the maximum weight that can be carried) may be lower than that of an endlessly welded belt.

Reduced Maintenance Downtime

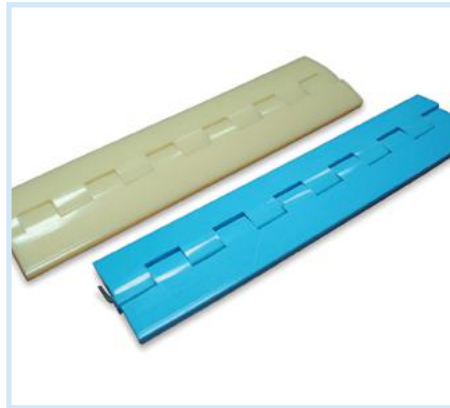
Volta belts have superior hygienic qualities and can be cleaned on a hygienically designed conveyor - opening and closing on a regular basis is therefore not routinely advised.

Universal Lace

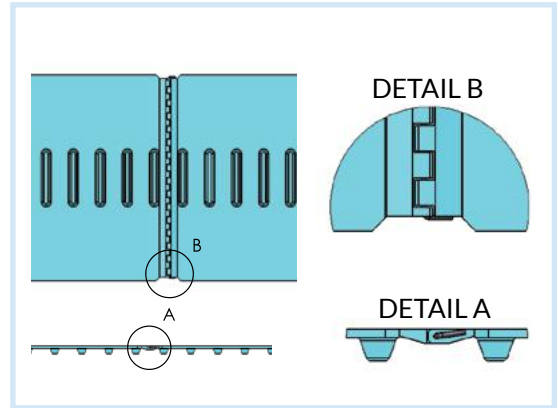
A castellated thermoplastic edging attached to opposite belt edges. The straight edges of two of these sections are cut to length and welded to belt ends. The castellated edges are meshed and then held in place by threading a pin through the matching holes.



Closing belt with Universal Lace



Universal Lace



Universal Lace Specifications

Lace & Belt Type	Volta LMB-U and LMW-U with SuperDrive™		Volta LMB-U with Mini SuperDrive™	
Description	Flat toothed strip		Flat toothed strip	
Material	Volta MB, Blue - MW, Beige		Volta MB, Blue	
Working Range:	Suitable for belt thickness 2.5 – 5 mm			
Hardness	95A		95A	
Working Temp Range	-20°C to 60°C/ -5°F to 140°F		-20°C to 60°C/ -5°F to 140°F	
Dimensions	5 x 16 mm - 0.2" x 0.63"		5 x 16 mm - 0.2" x 0.63"	
Maximum Length	3.05 m - 10ft		3.05 m - 10ft	
Maximum Pull Force	3 kg/cm - 16.8 lb/in		3 kg/cm - 16.8 lb/in	
Minimum Pulley Normal Flex	80 mm - 3.15"		67 mm - 2.64"	
Minimum Pulley Back Flex	100 mm - 3.94"		80 mm - 3.15"	
Pin Options	Stainless Steel Pin coated with Nylon - 1.65mm/0.065" diameter	Cat. No.: 81651170	Stainless Steel Pin coated with Nylon - 1.65mm/0.065" diameter	Cat. No.: 81651170
	* Nylon (Plastic) Pin - 1.65mm/0.065" diameter with Stainless Steel leader	Cat No.: 81651130	* Nylon (Plastic) Pin - 1.65mm/0.065" diameter with Stainless Steel leader	Cat No.: 81651130
Certifications	FDA / USDA / EU			

Note: * Maximum Pull force with the Nylon (plastic) Pin is 2 kg/cm (11.2 lb/in).



CORPORATE HEADQUARTERS
Sales and Manufacturing
sales@voltabelting.com

USA
Tel. +1 830 229 2384
voltaus@voltabelting.com

EUROPE
Tel. +31 546 580166
voltaeu@voltabelting.com

ASIA
Tel. +84 251 352 1967
voltaasia@voltabelting.com

